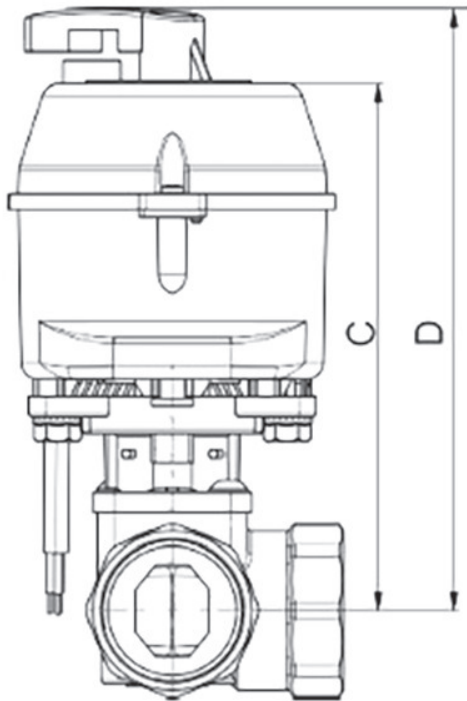




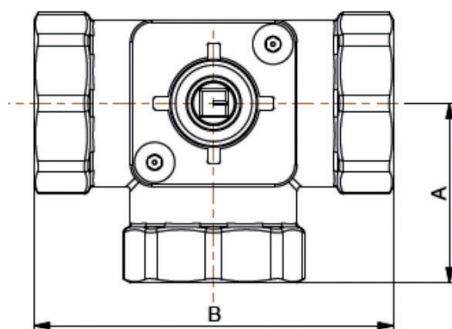
## Actuator to Fit Rotary CRM Valves

### Features

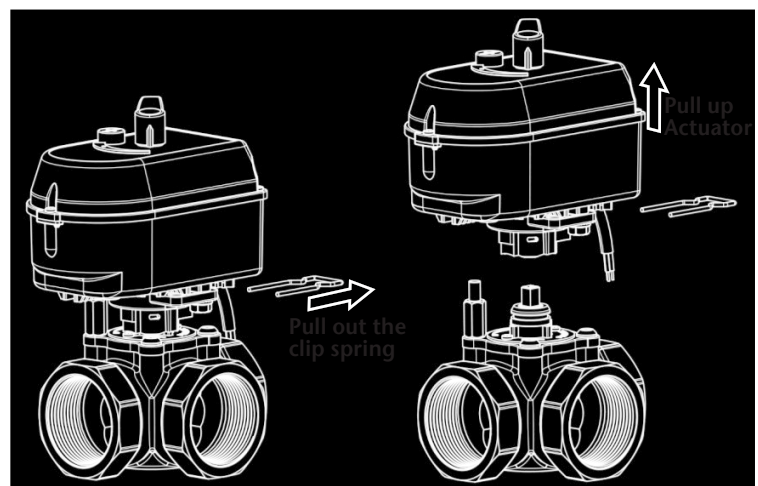
- Quick connection/release CLIP system utilised
- Synchronous motor with defined rotation direction
- CRV24 (24VAC) & CRV230 (230VAC) offers 3pt control
- CRE (24VAC) offers 0-10V, 4-20mA modulating control
- Auto/Man button with Handle for Manual operation
- Auxillary switches as standard on CRV
- 0-10VDC Feedback signal as standard on CRE



DN	15	20	25	32	40	50
Type	CRM15/3.0	CRM20/7.0	CRM25/11	CRM32/15	CRM40/25	CRM50/40
A	36	36	41	47	53	60
B	72	72	82	94	106	120
C	126	126	126	132	139	140
D	144	144	144	149	156	158
Connection	Rp 1/2"	Rp 3/4"	Rp 1"	Rp 1 1/4"	Rp 1 1/2"	Rp 2"
Kvs	3	7	11	15	25	40
Kgs	1.22	1.28	1.32	1.65	2.35	2.93



### Disconnection / Reconnection



#### Technical Data

Max Torque	15 Nm
Ingress Protection	IP44
Running Time	73 Sec / 90°

For reconnection, insert clip spring into clip adapter on actuator and push actuator onto valve to hear 'click'.

Dimensions in mm

This data sheet is designed as a guide and should not be regarded as wholly accurate in every detail. We reserve the right to amend the specification of any product without notice.